

DELTA QS® MODULE

Delta QS® Modules have the highest insulating value achievable in a ceramic fiber lining. Each module is comprised of folded blanket under compression to insure a tight seal and a “spring-back” action not found in typical wallpaper linings.

Noted features of a **QS® Module** lining are:

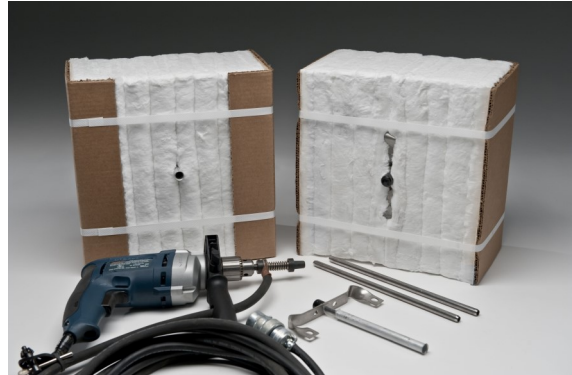
- Fast & Easy installation / 1 Step Weld & Tighten Process.
- No layout required. Just place on casing, weld and secure.
- Low heat storage and fuel costs
- Self-Supporting internal hardware reduces structural steelwork vs. castable or brick linings.
- Thermal shock resistance speeds up heat ups and cool downs for quick turn-around times.
- Manufactured in the USA with Unifrax Blanket

Typical Applications for **QS® Modules** are:

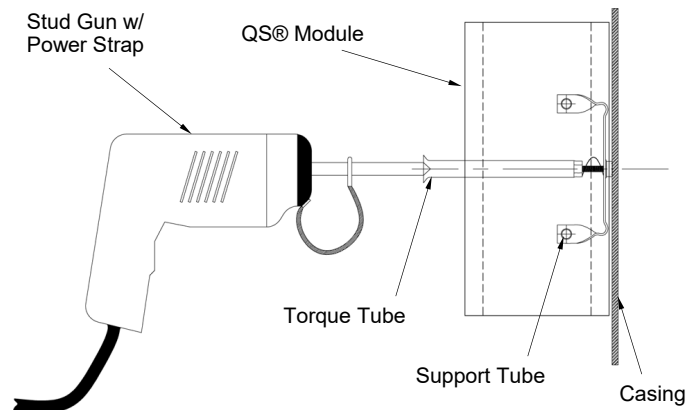
- Stress Relieving Furnaces
- Annealing Furnaces
- Car Bottom & Heat Treating Furnaces
- Process Heaters
- Reheat Furnaces
- Kiln & Boiler Linings
- Incineration Equipment
- Stack Linings
- Soaking Pit Covers
- Ladle Covers & Ladle Preheaters
- Forge Furnaces

Size & Densities Available

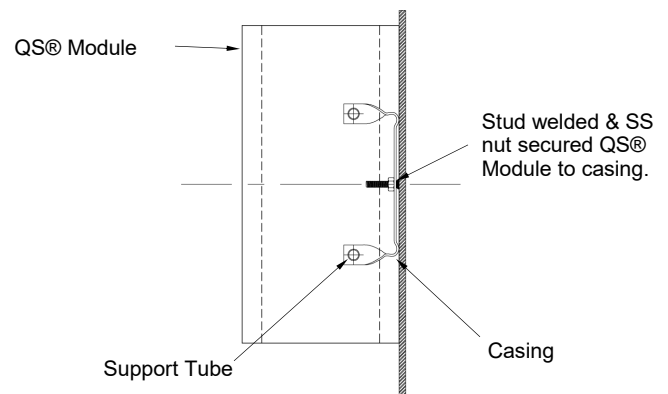
- 8, 9.3, 10.7, 12 (Lbs/Ft³)
- Standard Sizes range from 24” x 24” to 12” x 12” in thicknesses from 4” to over 12”
- Custom sized, pre-cut modules, & special bolt locations are also available for a seamless installation.
- QS® Modules are also available in a cut hot face “edge grain” style.



Typical QS® Installation Method



QS® Module Pre-Weld



QS® Module Post-Weld

Typical Product Parameters

Chemical Composition	Grade (Recommended Operating Temperature)		
	1800°F (1800°F)	2300°F (2150°F)	2600°F (2450°F)
Al ₂ O ₃	31-35%	43-47%	29-31%
SiO ₂	50-54%	53-57%	53-55%
ZrO ₂	5%	—	15-17%
Fe ₂ O ₃	1.3%	Trace	—
TiO ₂	1.7%	Trace	—
MgO	*0.5%	—	—
CaO	≤ 7.5%	—	—
Na ₂ O ₃	—	< 0.5%	—
Alkali	—	0.05%	—
Leachable Chlorides	—	< 10 ppm	< 10 ppm
Other Inorganics	—	0.85%	—
*MgO and other trace elements			



Corporate Office

Ph: 281.391.1320 / Toll Free 800.430.2226

Fax: 281.391.2015

Web: <http://www.deltarefractories.com>

Email: DRISales@deltarefractories.com

Mailing Address

21557 Provincial Blvd

Katy, Texas 77450