

DELTA PLEATED MODULES

Delta Pleated Modules have the highest insulating value achievable in a ceramic fiber lining. Each module is comprised of folded blanket under compression to insure a tight seal and a "spring-back" action not found in typical wallpaper linings.

Noted features of a **Pleated Module** lining are:

- Fast & Easy installation
- No layout required.
- Low heat storage and fuel costs
- Thermal shock resistance speeds up heat ups and cool downs for quick turn-around times.
- Manufactured in the USA with Unifrax Blanket

Typical Applications for **Pleated Modules** are:

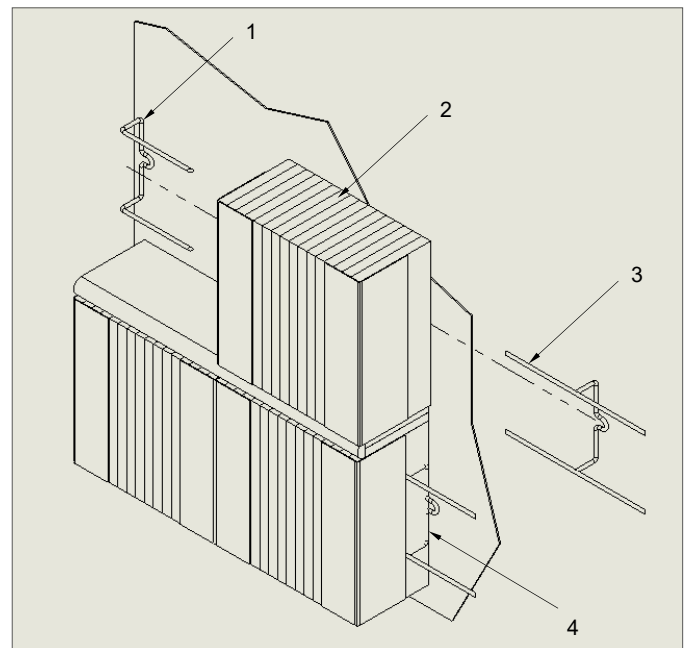
- Stress Relieving Furnaces
- Annealing Furnaces
- Car Bottom & Heat Treating Furnaces
- Process Heaters
- Reheat Furnaces
- Kiln & Boiler Linings
- Incineration Equipment
- Stack Linings
- Soaking Pit Covers
- Ladle Covers & Ladle Preheaters
- Forge Furnaces

Size & Densities Available

- 8, 9.3, 10.7, 12 (Lbs/Ft³)
- Standard Sizes range from 24" x 24" to 12" x 12" in thicknesses from 2" to over 12"
- Custom sized & pre-cut modules are also available for a seamless installation.



Typical Pleated Installation Method



1. Weld U-Hanger to furnace shell (*Start & Finish Modules Only*)
2. Insert Pleated Module onto U-Hanger (*Middle Modules Only*)
3. Insert H-Hanger into Pleated Module
4. Weld H-Hanger to Shell
5. Repeat process as shown until desired area is covered.

Corporate Office

Ph: 281.391.1320 / Toll Free 800.430.2226

Fax: 281.391.2015

Web: <http://www.deltarefractories.com>

Email: DRISales@deltarefractories.com

Mailing Address

21557 Provincial Blvd
Katy, Texas 77450

DELTA PLEATED MODULES

Typical Product Parameters			
Grade (Recommended Operating Temperature)			
Chemical Composition	1800°F (1800°F)	2300°F (2150°F)	2600°F (2450°F)
Al ₂ O ₃	31-35%	43-47%	29-31%
SiO ₂	50-54%	53-57%	53-55%
ZrO ₂	5%	—	15-17%
Fe ₂ O ₃	1.3%	Trace	—
TiO ₂	1.7%	Trace	—
MgO	*0.5%	—	—
CaO	≤ 7.5%	—	—
Na ₂ O ₃	—	< 0.5%	—
Alkali	—	0.05%	—
Leachable Chlorides	—	< 10 ppm	< 10 ppm
Other Inorganics	—	0.85%	—
*MgO and other trace elements			

Corporate Office

Ph: 281.391.1320 / Toll Free 800.430.2226

Fax: 281.391.2015

Web: <http://www.deltarefractories.com>

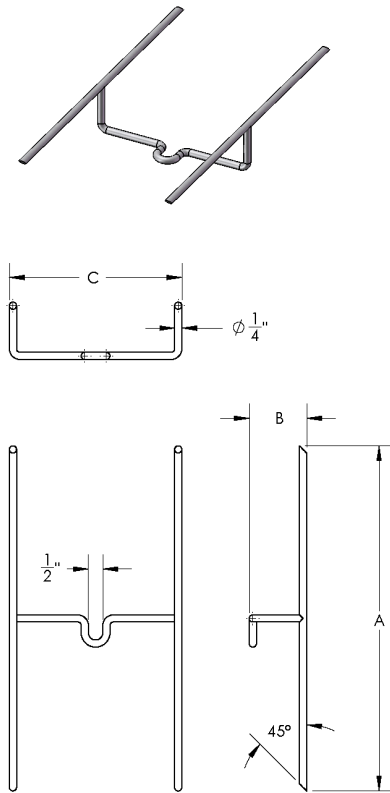
Email: DRISales@deltarefractories.com

Mailing Address

21557 Provincial Blvd
Katy, Texas 77450

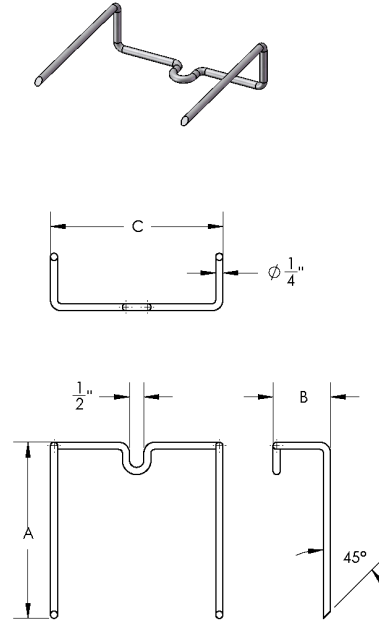
DELTA PLEATED MODULES INSTALLATION HARDWARE

STANDARD H-HANGER

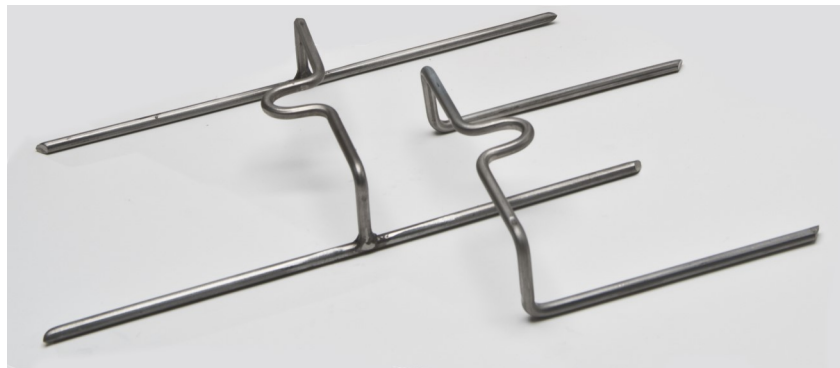


H HANGER			
HANGER STYLE	A	B	C
H-2	12"	2"	6"
H-4	12"	4"	6"
H-CUSTOM			

STANDARD U-HANGER



U HANGER			
HANGER STYLE	A	B	C
U-2	6"	2"	6"
U-4	6"	4"	6"
U-CUSTOM			



Corporate Office

Ph: 281.391.1320 / Toll Free 800.430.2226

Fax: 281.391.2015

Web: <http://www.deltarefractories.com>

Email: DRISales@deltarefractories.com

Mailing Address

21557 Provincial Blvd

Katy, Texas 77450