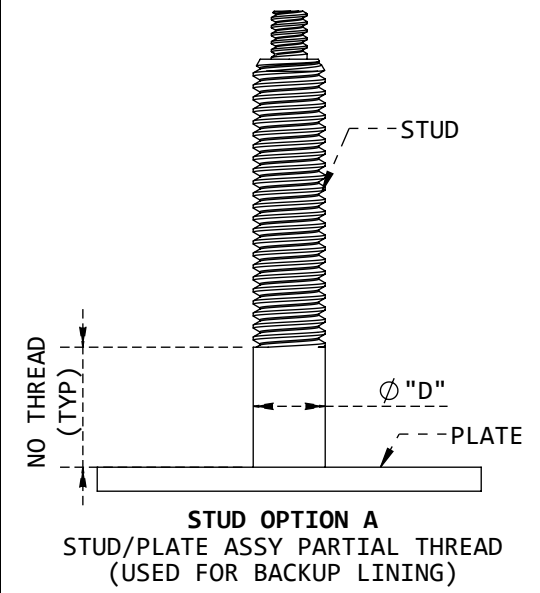
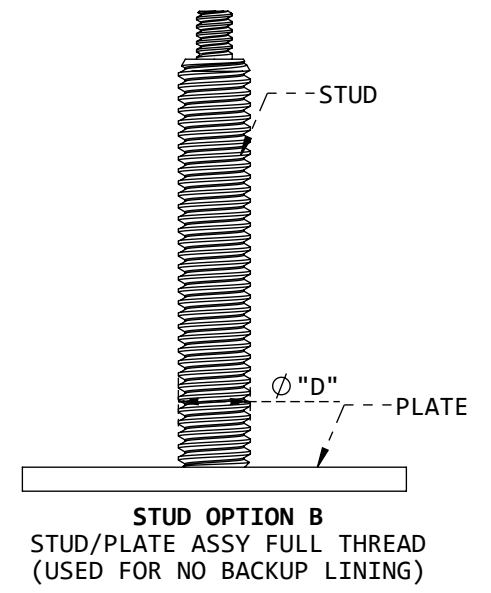


HOTFACE VIEW

COLDFACE VIEW

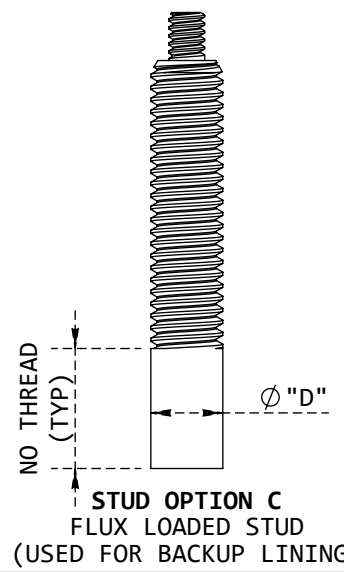


STUD OPTION A
STUD/PLATE ASSY PARTIAL THREAD
(USED FOR BACKUP LINING)

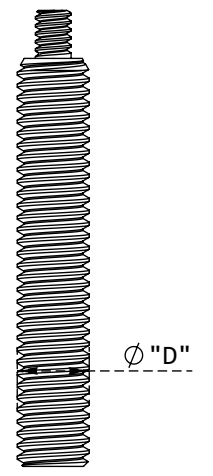


STUD OPTION B
STUD/PLATE ASSY FULL THREAD
(USED FOR NO BACKUP LINING)

TYPICAL STUD / PLATE ASSMBLY
3/8-16 X 2 3/8" LONG STUD
1/8" X 2" SQ CARBON STEEL PLATE



STUD OPTION C
FLUX LOADED STUD
(USED FOR BACKUP LINING)



STUD OPTION D
FLUX LOADED STUD
(USED FOR NO BACKUP LINING)

TYPICAL STUD ASSMBLY
3/8-16 X 2 3/8" LONG STUD
ALUMINUM FLUX BALL LOAD FOR ARC WELD
(FERRULES INCLUDED)

ENTER MODULE DETAILS	
"L"	
"W"	
"T"	
FIBER DENSITY	8# 10.7# 12# OTHER _____
FIBER GRADE	2300°F 2600°F 3000°F OTHER _____
STUD OPTION	A B C D
STUD DIA "D"	3/8-16 5/16-18 OTHER _____
STUD GRADE	CARBON 304 310 601 OTHER _____
PLATE GRADE	CARBON 304 310 601 OTHER _____
CHANNEL/TUBE GRADE	CARBON 304 310 601 OTHER _____

TITLE:
DELTA DF® MODULE ORDER FORM
SELECT OPTIONS AND FILL IN
DIMENSIONS/DETAILS

DWG. NO.
110-1074



TOLL FREE: 800-430-2226 | OFFICE: 281-391-1320
drisales@deltarefractories.com