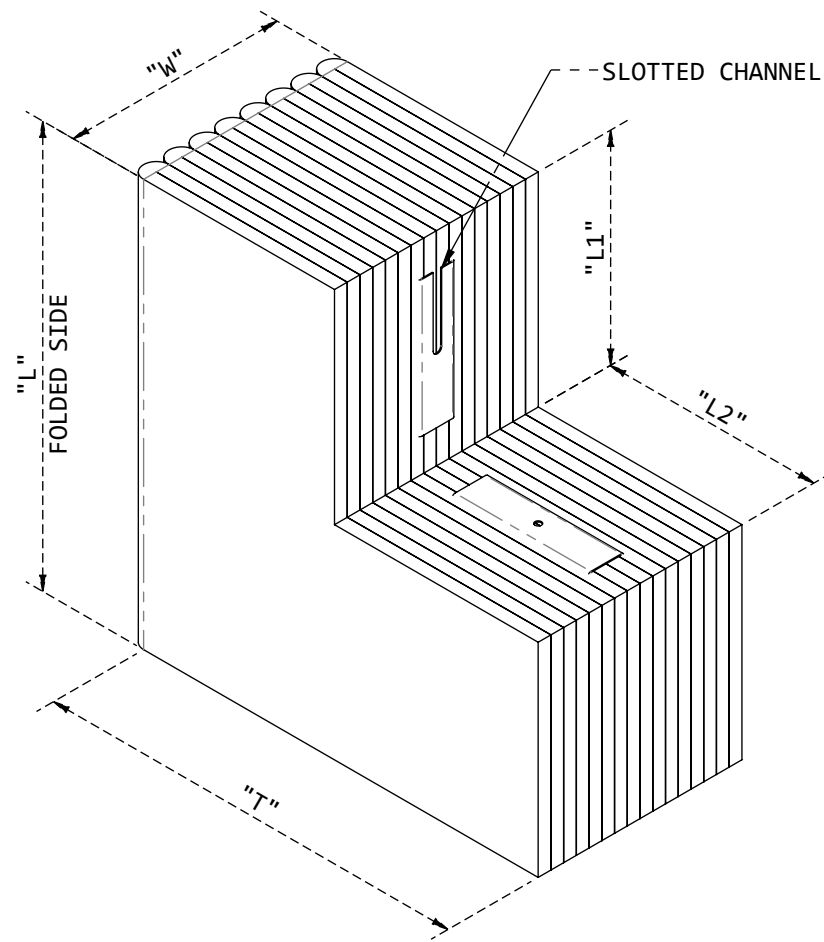
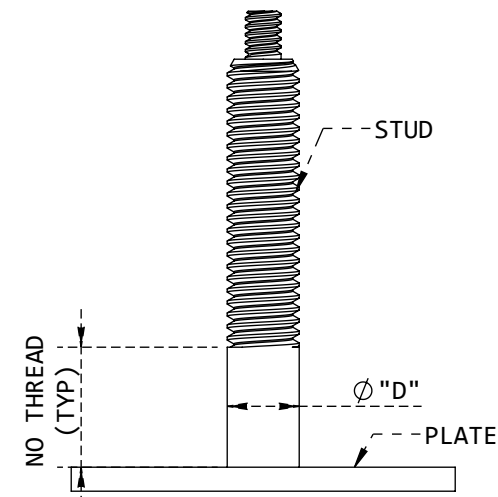


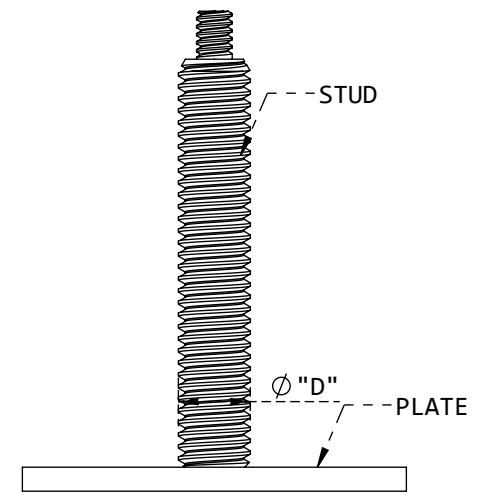
**OPTION 1**  
SLOT CHANNEL PERPENDICULAR PLEATED LEG



**OPTION 2**  
SLOT CHANNEL COLLINEAR PLEATED LEG

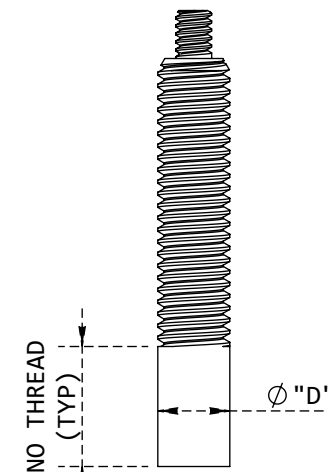


**STUD OPTION A**  
STUD/PLATE ASSY PARTIAL THREAD  
(USED FOR BACKUP LINING)

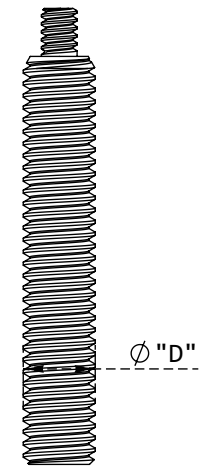


**STUD OPTION B**  
STUD/PLATE ASSY FULL THREAD  
(USED FOR NO BACKUP LINING)

**TYPICAL STUD / PLATE ASSMBLY**  
3/8-16 X 2 3/8" LONG STUD  
1/8" X 2" SQ CARBON STEEL PLATE



**STUD OPTION C**  
FLUX LOADED STUD  
(USED FOR BACKUP LINING)



**STUD OPTION D**  
FLUX LOADED STUD  
(USED FOR NO BACKUP LINING)

**TYPICAL STUD ASSMBLY**  
3/8-16 X 2 3/8" LONG STUD  
ALUMINUM FLUX BALL LOAD FOR ARC WELD  
(FERRULES INCLUDED)

ENTER MODULE DETAILS - OPTION 1				
"L"				
"W"				
"T"				
"L1"				
"L2"				
FIBER DENSITY	8#	10.7#	12#	OTHER _____
FIBER GRADE	2300°F	2600°F	3000°F	OTHER _____
STUD OPTION	A	B	C	D
STUD DIA "D"	3/8-16	5/16-18	OTHER _____	
STUD GRADE	CARBON	304	310	601 OTHER _____
PLATE GRADE	CARBON	304	310	601 OTHER _____
CHANNEL/TUBE GRADE	CARBON	304	310	601 OTHER _____

ENTER MODULE DETAILS - OPTION 2				
"L"				
"W"				
"T"				
"L1"				
"L2"				
FIBER DENSITY	8#	10.7#	12#	OTHER _____
FIBER GRADE	2300°F	2600°F	3000°F	OTHER _____
STUD OPTION	A	B	C	D
STUD DIA "D"	3/8-16	5/16-18	OTHER _____	
STUD GRADE	CARBON	304	310	601 OTHER _____
PLATE GRADE	CARBON	304	310	601 OTHER _____
CHANNEL/TUBE GRADE	CARBON	304	310	601 OTHER _____

**TITLE:**  
BN® BULLNOSE ORDER FORM  
SELECT OPTIONS AND  
FILL IN DIMENSIONS/DETAILS

DWG. NO.  
110-1075



TOLL FREE: 800-430-2226 | OFFICE: 281-391-1320  
drisales@deltarefractories.com